

Model 825-CBW

CONTINUOUS BULK WEIGHER



Continuous Bulk Weigher

MOTION 2677 lb

Filling Prt On

PAUSE

CARDINAL CBW 06-07-2010 09:11:43

CUSTOMER
JOHN'S FEED
123 OAK ST
SOMEWHERE, TX 12345

MATERIAL	TRUCK
Corn	12345

DRAFT WEIGHT	
1	5032
2	4968

SHIP TOT.	2	10000
TARGET	4	20000
DRAFT SIZE		5000

Cardinal's 825-CBW is a compact, yet complete control package for continuous weighing of bulk commodities in a shipping or receiving installation. Featuring customer and product identification, single or multiple loading, and ship or receive mode.

Cardinal's 825-CBW Controls

Accurate Continuous Bulk Weighing

CBW Setup Menu

ZERO LIMIT 100	DATE/TIME 06-07-2010 08:47
TRIM ADJUST. 114	TIMERS
PRINT MODE Normal	PORTS
SHIP OR RCV. Ship	MAINTENANCE
TARGET MODE Normal	CERTIFICATION
	LANGAUGE English
	RETURN

INTUITIVE SETUP MENU

The Setup Menu provides touch screen button control for various utility settings right at your fingertips.

The ZERO LIMIT button sets a hopper weight limit to prevent starting a fill if the hopper weight is not near zero. TRIM ADJUST is a value to account for free-fall of material. For example, if you specify a draft size of 5,000 lb and a TRIM ADJUST of 100 lb the gate will close when the hopper weight reaches 4,900 lb to allow for 100 lb of material in the air to land in the hopper to reach the desired 5,000 lb draft size.

Timers

Fill Alarm (seconds):	100
Dump Time (seconds):	100
Fill Settle (seconds):	1
Extend Dump (seconds):	1

Enter maximum fill time before alarm occurs

EFFICIENT TIMER FUNCTIONS

A number of time delays guard against material outages and incorrect weight readings.

FILL ALARM and DUMP TIME settings may be set to a value that, if exceeded, will cause the alarm output to come on to alert operators of a material flow problem.

FILL SETTLE and EXTEND DUMP times are times to allow for the hopper to settle before a draft is completed.

CBW Maintenance

ZERO SCALE
TEST WEIGHT
MANUAL MODE

CTR ZERO
0 lb

Calibration:

CAPACITY	:	10000
INTERVAL	:	1
UNITS	:	lb

RETURN

EASY MAINTENANCE

Convenient scale calibration information is displayed at the lower left corner of the Maintenance screen.

Pressing the ZERO SCALE key will zero the scale weight. Pressing the TEST WEIGHT key will allow up or down control of a test weight, if equipped. Pressing the MANUAL MODE key will allow manual control of the upper garner and weigh hopper gates.

Presets

TARGET WT 20000
DRAFT SIZE 5000
NUM DRAFTS 4

RETURN

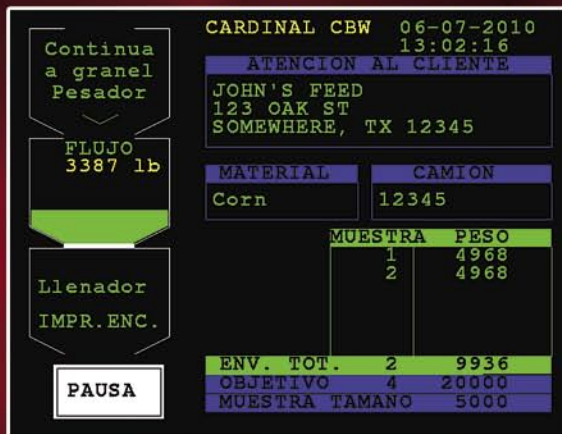
ACCURATE PRESETS

Hit your target every time with the accuracy of Cardinal's 825-CBW preset weight values.

Press the TARGET WT key to input the target weight. Press the DRAFT SIZE key to set the draft size. The NUM DRAFTS key will set the number of drafts, and any two values may be set and the other will be calculated.

Control Package Includes:

- Cardinal's versatile 825 Spectrum weight indicator
- Software package designed for continuous bulk weighing
- Tape printer



Multiple Language Selection

With the push of a button, readouts and menus are switched from English to Spanish. (shown left)

Cardinal's model 825-CBW Continuous Bulk Weigher includes the versatile 825 Spectrum weight indicator preloaded with special software and the model P600 tape printer.

SETUP FEATURES:

- **SET TIMERS:**
Fill Alarm, Dump Alarm, Fill Settle, Extend Dump, and Screen Saver.
- **ZERO LIMIT:**
Weigh range to allow starting of bulk weigher.
- **TRIM WEIGHT:**
Free fall amount after fill gate closes.
- **MAINTENANCE:**
Zero Scale, Test Weight (to activate signal to apply test weights and print test weight value), and Manual Mode (used to manually open the fill and discharge gates for maintenance functions).
- **PRINTER:**
The mode of printer operation can be selected to Printer Off, Printer On, and Printer Itemized.

All setup functions can be under password protection.

DISPLAY FEATURES:

- 640 x 480 pixel color backlit interactive touchscreen LCD
- Color-coded QWERTY keyboard for convenient data entry
- Pictorial representation of the bulk weigher and gates
- Navigation keys combine with intuitive menus for quick and easy set-up
- Target weight to be filled
- Total drafts required
- Number of drafts completed
- Identification of the customer

OPERATIONAL FEATURES:

- Ship or receive selection
- Single loading (used for set-up and loading of only one vehicle)
- Multiple loading (used for set-up and loading of unit trains)
- Presets – Target Weight, Draft Size or Number of Drafts, Customer Identification and Next (used when inputting multiple cars)

Cars can have different products, amounts, and customers. The 825-CBW can store up to 150 cars of a unit train. The cars can be recalled in different sequential groups or skipped if the car is found to have a defect.

Cardinal 825-CBW



Cardinal 825-CBW

CONTINUOUS BULK WEIGHER

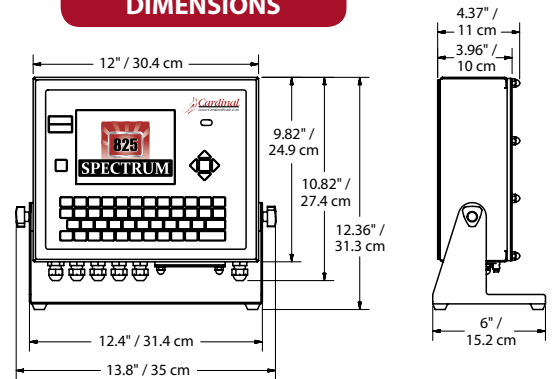


SPECTRUM

SPECIFICATIONS

Power Requirements:	90 to 264 VAC (50/60 Hz)
Enclosure Type:	Stainless steel
Weight:	16.2 lb / 7.3 kg (includes gimbal)
Operating Environment:	Temperature: 14 to 104 °F (-10 to +40 °C) Humidity: 90% non-condensing (maximum)
Display Size:	5.25" W x 4.0" H / 133 mm W x 102 mm H
Display Resolution:	640 x 480 pixel matrix color backlit LCD
Transducer Excitation:	10.85 VDC
Load Cell Cable Length:	1260 feet maximum with sense lines 30 feet maximum without sense lines <i>Consult factory for other requirements</i>
Division Value:	1, 2, or 5 x 10, 1, 0.1, 0.01, 0.001 and 0.0001 commercial 0 to 99, non-commercial
Signal Input Range:	1.0 mV min. to 33 mV max. (with dead load boost)
Number of Load Cells:	Up to 14 per SIB / 48 - 350 ohm load cells total
Sensitivity:	
NON-COMMERCIAL	0.15 uV/e
CANADA	0.3 uV/e (Class III/IIIHD)
OIML	0.5 uV/e (Class III)
Max Scale Divisions:	
NON-COMMERCIAL	240,000
CANADA	10,000 (Class III/IIIHD)
OIML	10,000 (Class III), 1000 (Class III)
Internal Resolution:	>100,000 counts
Tare Capacity:	Six digits (999,999)
Sample Rate:	1 to 200 samples per second, selectable
Auto Zero Range:	0.5 or 1 through 9 divisions
Weighing Units:	Tons, pounds, tonnes (metric tons), kilograms, and custom
Keypad:	Membrane type with 52 color-coded keys and touch screen display with multiple programmable soft keys
Sound:	Configurable audio beep
Standard I/O:	1 each bi-directional RS-232 port 1 each bi-directional RS-232/20mA port 1 each bi-directional RS-232/RS485 port 1 each DeviceNet/ICAN port 4 each isolated inputs and 4 each isolated outputs ports 1 each 10/100 Base-T Ethernet port (TCP/IP or EIP) 2 each USB A host port 1 each USB B device port

DIMENSIONS



The 825-CBW may also use Cardinal's nControl Ticket and Label Generation Software

Cardinal Scale reserves the right to improve, enhance or modify features and specifications without prior notice. All registered trademarks are the property of their respective owners.

CERTIFICATIONS



R76/1992-DK1-08.03



NOTICE OF APPROVAL PENDING



Cardinal
Cardinal Scale Manufacturing Co.
203 E. Daugherty, Webb City, MO 64870 USA
Ph: 417-673-4631 or 800-441-4237 • Fax: 417-673-5001
www.cardinalscale.com

SOLD BY: